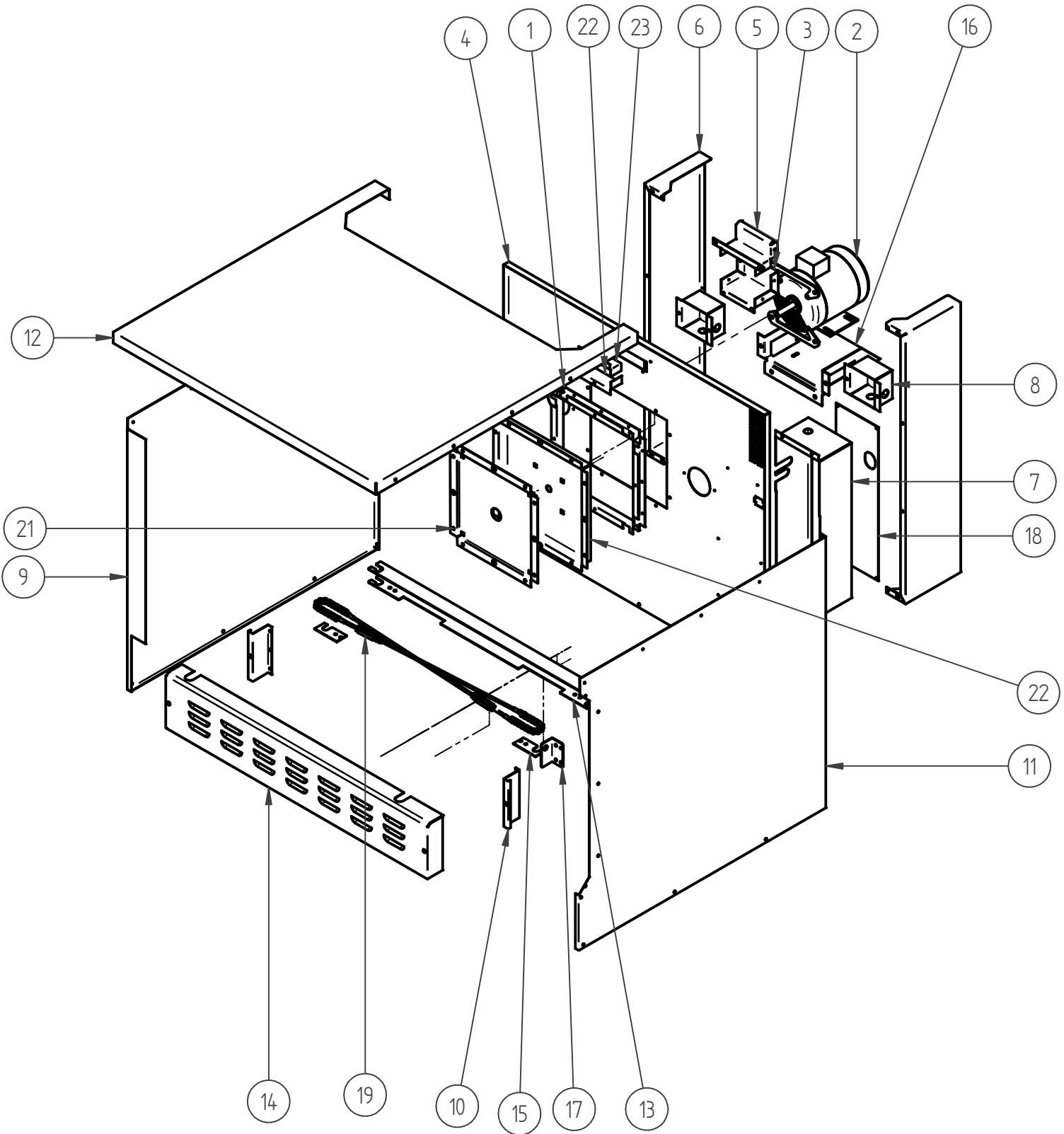


EQUIPMENTS / EQUIPOS

AECO 1 NG
AECO 1 LPG



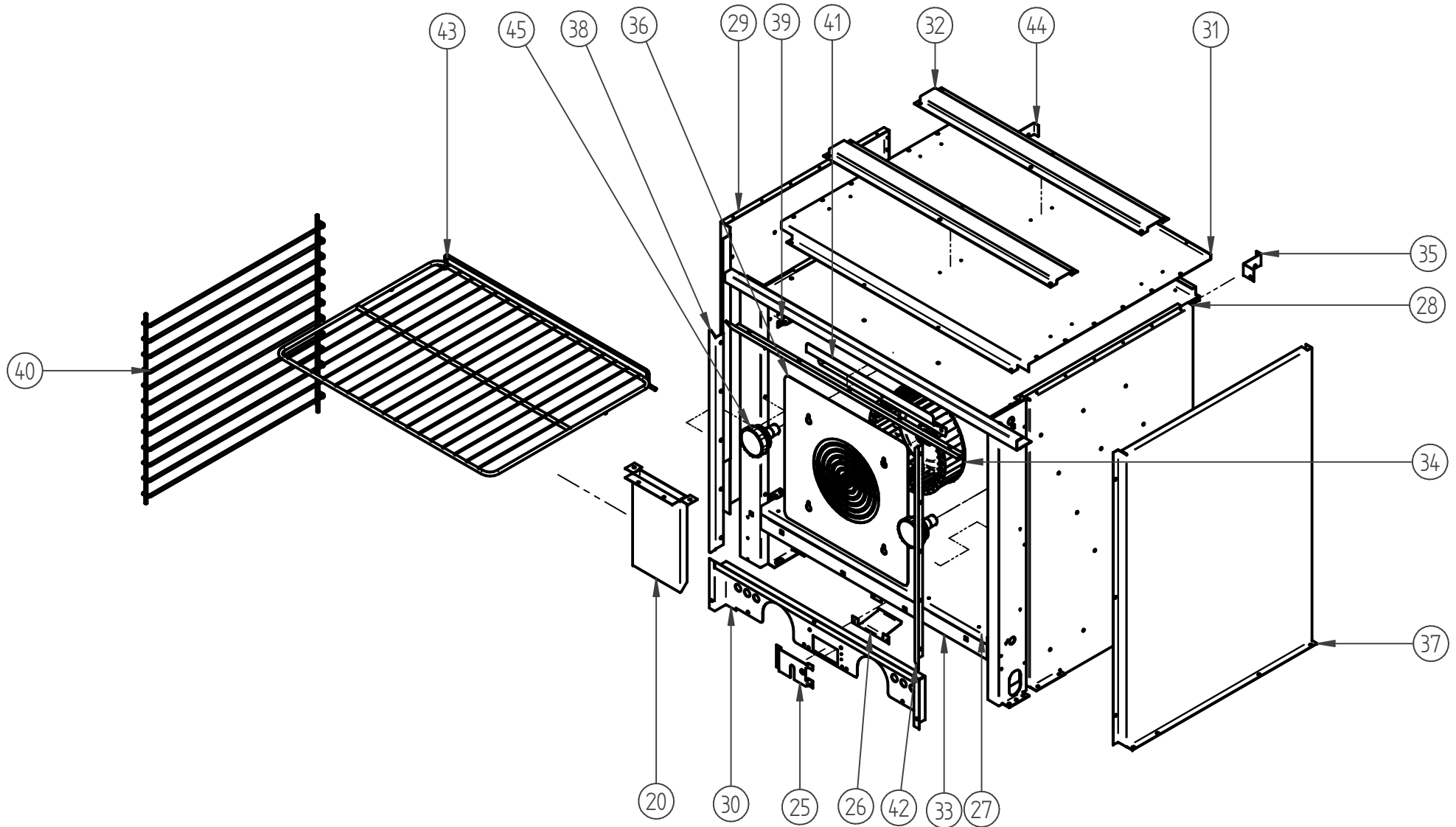


DESPIECE

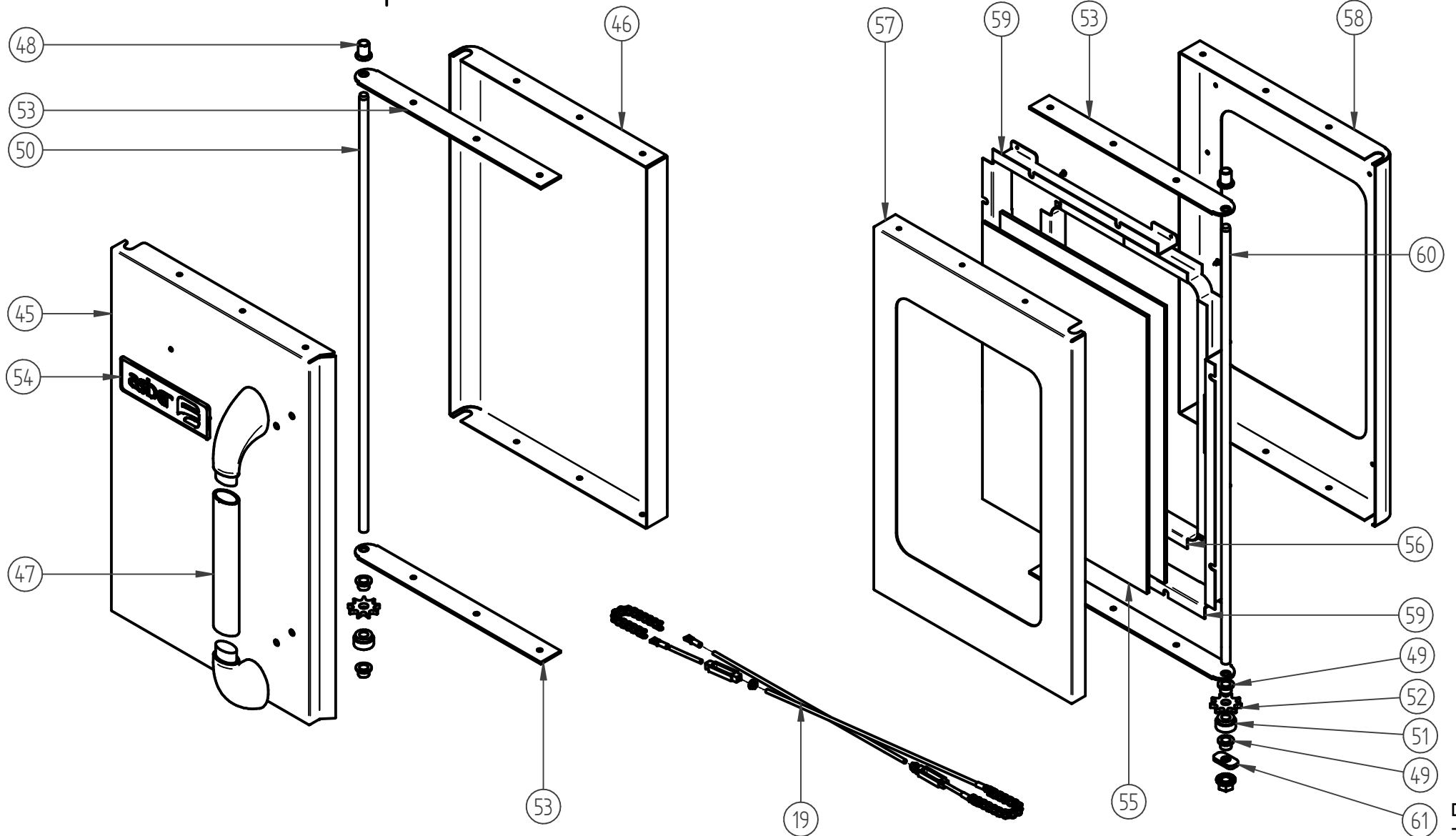
PARTS BREAKDOWNS

CUERPO EXTERIOR HORNO / EXTERIOR BODY OVEN

ZONE / ZONA		DRAWING										AECO	
ITEM	REFERENCE REFERENCIA	DENOMINATION	DENOMINACIÓN	NG			LP			RECOMENDED	ELIMINATED ELIMINADO	INTRODUCED INTRODUCIDO	NOTES / NOTAS
				AECO 1	NG		AECO 1	LP					
CUERPO EXTERIOR HORNO / EXTERIOR BODY OVEN													
1	12196681	MOTOR FRAME	MARCO MOTOR	2			2						
2	12190639	MOTOR CONVECTOR	MOTOR CONVECTOR	1			1						
3	12196639	REAR SUPPORT CHIMNEY	CONTRA CHIMENEA HC	1			1						
4	12196645	OVEN BACKREST	RESPALDO HORNO CONVECTOR	1			1						
5	12196638	CHIMNEY	CHIMENEA HC	1			1						
6	12196640	REAR SUPPORT	SOPORTE POSTERIOR HC	2			2						
7	12196655	GAS CONECTION BOX	CAJA CONEXIONES GAS HC	1			1						
8	12196635	FOCUS BOX	CAJA FOCO HC	2			2						
9	12196652	EXTERIOR LEFT SIDE	LATERAL IZQUIERDO EXT HC	1			1						
10	12196644	GRID SUPPORT	SOPORTE REJILLA HC	2			2						
11	12196651	EXTERIOR RIGHT SIDE	LATERAL DERECHO HORNO CONV.	1			1						
12	12206768	ROOF	TECHO HC	1			1						
13	12196653	DOOR SUPPORT	SOPORTE MECANISMO PUERTA HC	1			1						
14	12206767	GRILL FRONT	REJILLA FRONTAL HC	1			1						
15	12208038	SAFE DOOR	SEGURO MECANISMO PUERTA HC	4			4						
16	12196672	MOTOR BASE	BASE MOTOR HC	1			1						
17	12206760	MICRO SUPPORT	SOPORTE MICRO HC	1			1						
18	12196659	COVER BOX CONNECTIONS	TAPA CAJA CONEXIONES	1			1						
19	12190975	ASSEMBLY DOOR MECHANISM	ENSAMBLE MECANISMO PUERTA	1			1						
20	12196670	MOTOR COVER	TAPA MOTOR	1			1						
21	12196671	MOTOR REAR COVER	CONTRA TAPA MOTOR	1			1						
22	12196679	EXTENSION CHIMNEY	EXTENSION CHIMENEA HC	1			1						
23	12206795	REAR EXTENSION CHIMNEY	CONTRA EXTENSION CHIMENEA HC	1			1						



ZONE / ZONA		DRAWING										AECO	
ITEM	REFERENCE REFERENCIA	DENOMINATION	DENOMINACIÓN	NG			LP			RECOMENDED	ELIMINATED ELIMINADO	INTRODUCED INTRODUCIDO	NOTES / NOTAS
				AECO 1	NG		AECO 1	LP					
CUERPO INTERIOR HORNO / INTERIOR BODY OVEN													
24	12208146	ASSEMBLY CHIMNEY	ENSAMBLE CHIMENEA	1			1						
25	12196627	PILOT COVER	TAPA PILOTO HC	1			1						
26	12196626	PILOT SUPPORT	SOPORTE PILOTO HC	1			1						
27	12206776	OVEN FLOOR	PISO DEL HORNO HC	1			1						
28	12196665	INTERIOR PANEL RIGHT	PANEL INTERIOR DERECHO HC	1			1						
29	12196663	INTERIOR PANEL LEFT	PANEL INTERIOR IZQUIERDO HC	1			1						
30	12196625	BURNER COVER	TAPA QUEMADORES HC	1			1						
31	12196632	REAR ROOF	CONTRA TECHO HC	1			1						
32	12196630	ROOF SUPPORT	REFUERZO TECHO HC	2			2						
33	12208144	ASSEMBLY FRAME	ENSAMBLE MARCO HC	1			1						
34	12190641	TURBINE	TURBINA	1			1						
35	12206752	HIGHER COVER RIGHT	TAPA SUPERIOR DERECHA HC	1			1						
36	12206791	TURBINE COVER	TAPA TURBINA HC	1			1						
37	12196662	INTERIOR SIDE	LATERAL INTERIOR HC	1			1						
38	12196677	SIDE DOOR SEAL	SELLO PUERTA LATERAL	2			2						
39	12196661	RACK SUPPORT	SOPORTE ESTANTE HC	8			8						
40	12190732	RACK OVEN CONVECTOR	ESTANTE HORNO CONVECTOR	2			2						
41	12196682	AIR DEFLECTOR	CONDUCCIÓN AIRE	1			1						
42	12196678	SEAL DOOR	SELLO PUERTA HC	2			2						
43	12196634	HIGHER COVER LEFT	TAPA SUPERIOR IZQUIERDA	1			1						
44	12190637	ASSEMBLE FOCUS	ENSAMBLE FOCO	2			2						



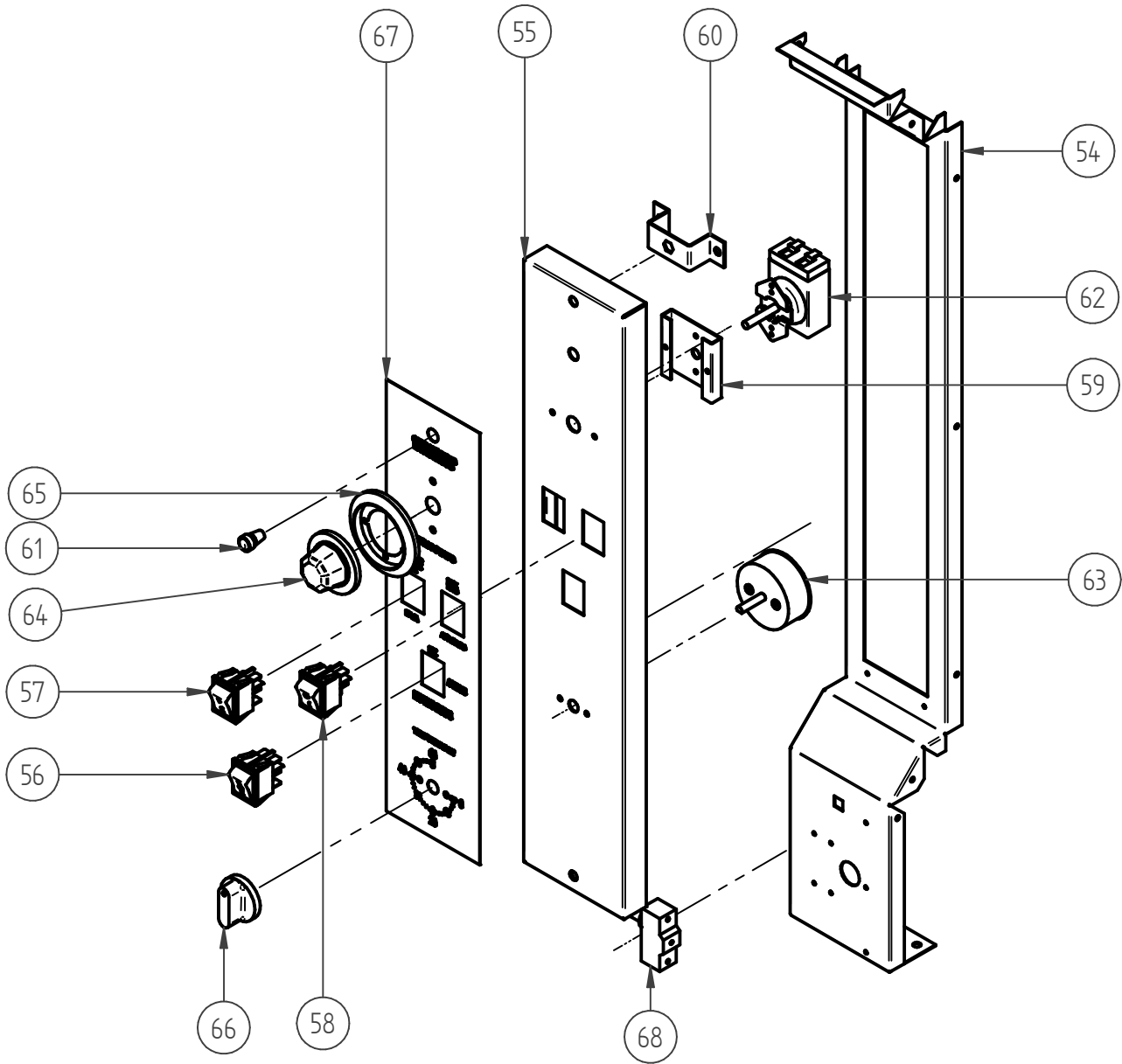


DESPIECE

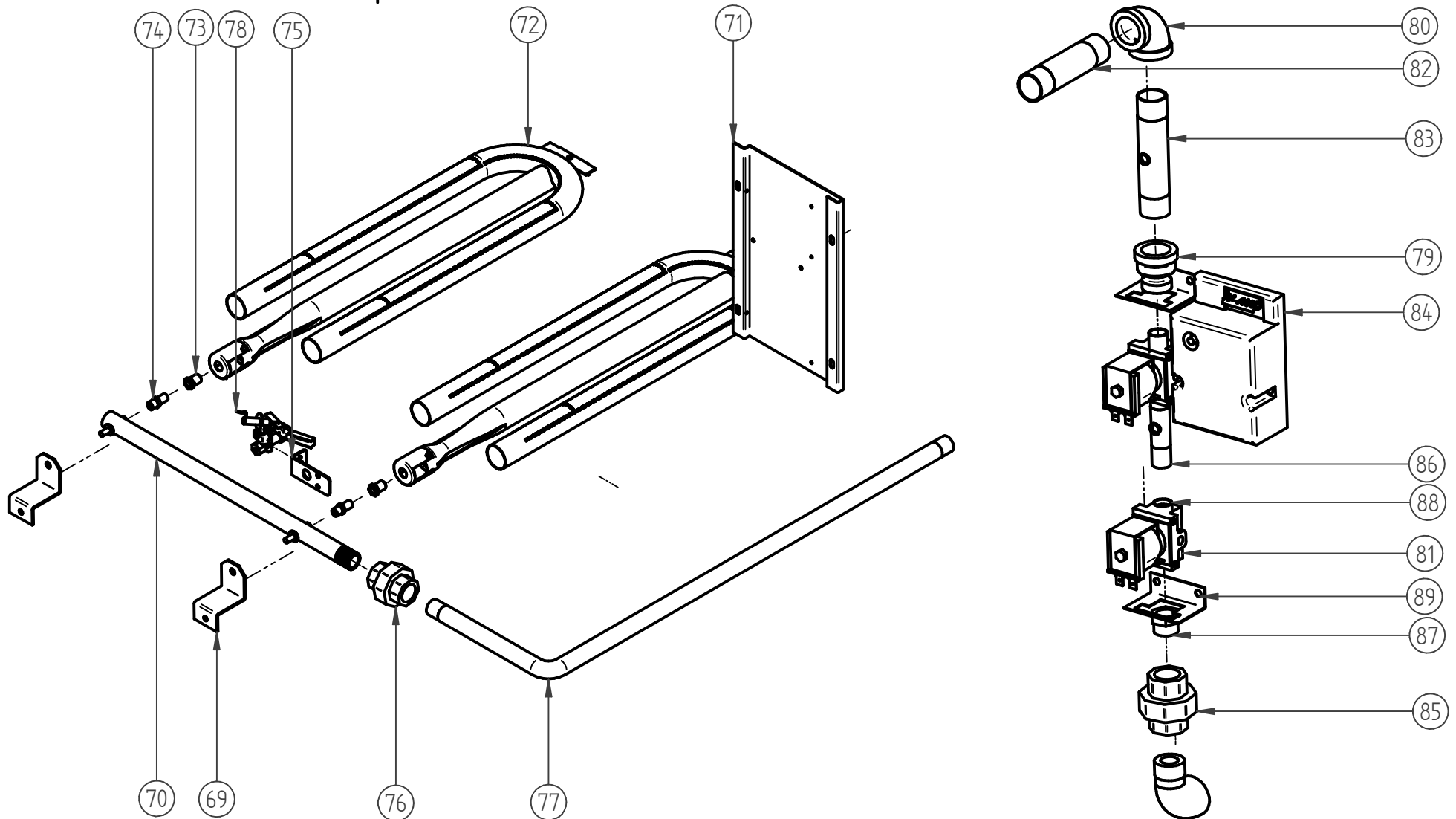
PARTS BREAKDOWNS

DOORS/PUERTAS

ZONE / ZONA		DRAWING										AECO	
ITEM	REFERENCE REFERENCIA	DENOMINATION	DENOMINACIÓN	NG			LP			RECOMENDED	ELIMINATED ELIMINADO	INTRODUCED INTRODUCIDO	NOTES / NOTAS
				AECO 1	NG		AECO 1	LP					
DOORS / PUERTAS													
19	12190975	DOOR TENSION	MECANISMO TENSOR PUERTA	1			1						
	12197505	ASSEMBLY DOOR HC	ENSAMBLE PUERTA HC	1			1						
45	12196605	LEFT DOOR	PUERTA IZQUIERDA	1			1						
46	12196606	REAR DOOR LEFT	CONTRA PUERTA IZQ	1			1						
47	12190980	HANDLE OVEN 24"	MANIJA HORNO 24"	1			1						
48	12211170	LONG BUSHING	BUJE LARGO	1			1						
49	12211159	BUSHING	BUJE	2			2						
50	12211157	LEFT SHAFT DOOR	EJE IZQUIERDO PUERTA HC	1			1						
51	12211158	SHORT BUSHING	BUJE CORTO	1			1						
52	12211927	CHAIN	CADENA	0.2			0.2						
53	12219974	SUPPORT DOOR MECHANISM	REFUERZO MECANISMO PUERTA	2			2						
54	12190984	PLATE	PLACA	1			1						
	12197506	ASSEMBLY GLASS DOOR	ENSAMBLE PUERTA CRISTAL HC.	1			1						
55	12191126	GLASS	CRISTAL	2			2						
56	12206727	FRAME GLASS DOOR	MARCO PUERTA CRISTAL HC	1			1						
57	12206728	GLASS DOOR	PUERTA CRISTAL HC	1			1						
58	12206729	REAR SUPPORT DOOR	CONTRA PUERTA VIDRIO HC	1			1						
59	12206730	INTERIOR SUPPORT DOOR	REFUERZO INT PUERTA HC	2			2						
60	12211156	RIGHT SHAFT DOOR	EJE DERECHO PUERTA HC	1			1						
61	12211173	DOOR STOPPER	TOPE MECANISMO PUERTA HC	1			1						
48	12211170	LONG BUSHING	BUJE LARGO	1			1						
49	12211159	BUSHING	BUJE	2			2						
51	12211158	SHORT BUSHING	BUJE CORTO	1			1						
52	12211927	CHAIN	CADENA	0.2			0.2						
53	12219974	SUPPORT DOOR MECHANISM	REFUERZO MECANISMO PUERTA	2			2						



ZONE / ZONA		DRAWING										AECO	
ITEM	REFERENCE REFERENCIA	DENOMINATION	DENOMINACIÓN	NG			LP			RECOMMENDED	ELIMINATED ELIMINADO	INTRODUCED INTRODUCIDO	NOTES / NOTAS
				AECO 1	NG		AECO 1	LP					
CONTROLS HOLDER / PORTAMANDOS													
54	12206772	CONTROL PANEL SUPPORT	SOPORTE PANEL DE MANDOS	1			1						
55	12206766	CONTROL PANEL OVEN	PANEL DE MANDOS HORNO CONV.	1			1						
56	12206755	OVEN SWITCH	INTERRUPTOR HORNO HC	1			1						
57	12206761	FAN SWITCH	INTERRUPTOR VENTILADOR	2			2						
58	12190635	FOCUS SWITCH	INTERRUPTOR FOCO HC	1			1						
59	12190634	THERMOSTAT SUPPORT	SOPORTE TERMOSTATO	1			1						
60	12190633	CONTROL HOLDER SUPPORT	REFUERZO PORTAMANDOS	1			1						
61	12190632	INDICATOR FOCUS	FOCO INDICADOR	1			1						
62	12189691	CONVECTOR OVEN THERMOSTAT	TERMOSTATO HORNO CONVECTOR	1			1						
63	12190636	TIMER	TIMER	1			1						
64	12190085	THERMOSTAT KNOB	PERILLA TERMOSTATO HC	1			1						
65	12190086	BAZZEL THERMOSTAT	BAZZEL TERMOSTATO HC	1			1						
66	12190084	TIMER KNOB	PERILLA TIMER	1			1						
67	13002368	STICKE OVEN CONVECTOR	PEGATINA HORNO CONVECTOR	1			1						
68	12189694	MICRO SWITCH	MICRO INTERRUPTOR	1			1						



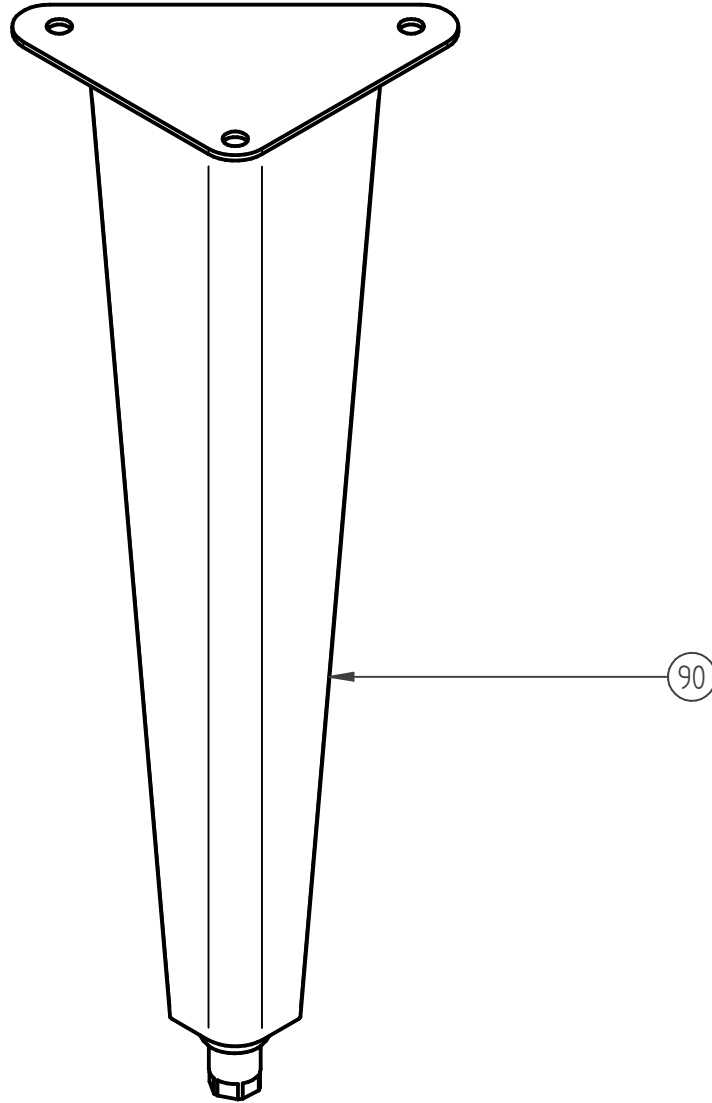


DESPIECE

PARTS BREAKDOWNS

GAS SYSTEM/SISTEMA DE GAS

ZONE / ZONA		DRAWING										AECO	
ITEM	REFERENCE REFERENCIA	DENOMINATION	DENOMINACIÓN	NG			LP			RECOMMENDED	ELIMINATED ELIMINADO	INTRODUCED INTRODUCIDO	NOTES / NOTAS
				AECO 1 NG			AECO 1 LPG						
GAS SYSTEM/SISTEMA DE GAS													
69	12196637	MANIFOLD SUPPORT	SOPORTE COLECTOR HC	2			2						
70	12189706	FRONT MANIFOLD	COLECTOR FRONTAL HORNO CONV	1			1						
71	12196628	SPARK LIGHTER BASE	BASE ENCENDEDOR DE CHISPA	1			1						
72	12189729	BURNER	QUEMADOR COMPLETO U	2			2						
73	12189737	SPREAD 52	ESPREA 52	2									
	12189738	SPREAD 40	ESPREA 40				2						
74	12189705	ADAPTER SPREAD	ADAPTOR ESPREA 1/8NPT-3/8"- 27	2			2						
75	12196646	PILOT SUPPORT	SOPORTE PILOTO HC	1			1						
76	12189703	UNION NUT 1/2"	TUERCA UNION 1/2"	1			1						
77	12189707	MANIFOLD EXTENSION	EXTENSION COLECTOR	1			1						
78	12188072	PILOT	PILOTO HORNO COMPLETO	1			1						
79	12189699	BELL REDUCING COUPLING	REDUCCION CAMPANA 3/4" - 3/8"	1			1						
80	12189698	ELBOW Ø 3/4"x 90º BLACK	CODO Ø 3/4"x 90º NEGRO	1			1						
81	12189692	SOLENOIDE VALVE	ELECTROVALVULA	2			2						
82	12189697	NIPPLE 3/4" X 4"	COPE 3/4" X 4"	1			1						
83	12189700	NIPPLE 3/4" X 4 1/2"	COPE 3/4" X 4 1/2"	1			1						
84	12189693	SPARK CONTROL	CONTROL DE CHISPA	1			1						
85	12189703	UNION NUT 1/2"	TUERCA UNION 1/2"	1			1						
86	12189701	NIPPLE 3/8" X 3"	COPE 3/8" X 3"	1			1						
87	12189702	REDUCTION BUSHING 3/8" - 1/2"	REDUCCION 3/8" - 1/2"	1			1						
88	12189704	NIPPLE 3/8" X 3/4"	COPE 3/8" X 3/4"	2			2						
89	12196629	SUPPORT DOOR	SOPORTE PUERTA HC	2			2						



ZONE / ZONA		DRAWING										AECO	
ITEM	REFERENCIA	DENOMINATION	DENOMINACIÓN	NG			LP			RECOMMENDED	ELIMINATED ELIMINADO	INTRODUCED INTRODUCIDO	NOTES / NOTAS
				AECO 1	NG		AECO 1	LP					
EXTRA ACCESSORIES/ACCESORIOS													
90	12213438	ASSEMBLY LEG	ENSAMBLE PATA HC	4					4				



CUSTOMER SERVICE

ASBER
13105 NW 47th Ave
Miami, FL 33054
Phone: (305) 477 1680
<http://www.Asbercommercial.com>

Circuito Exportación N° 201
Parque Industrial Tres Naciones
San Luís Potosí, S.L.P. México
C.P. 78395
Teléfono Planta S.L.P.: + 52 (444) 137 0500
Teléfono México D.F.: + 52 (55) 5082 5825
Sin costo: 01 800 00 ASBER
Página Web: www.asber.com.mx

SERVICIO TECNICO